

LI-ION
TECHNOLOGY

INNOVATIVE LITHIUM-ION



A Series Electric Lithium-ion Mini Walkie Pallet Jack

with capacities of 3,000lbs

The World of Hangcha
SINCE 1956



A Series Electric Lithium-ion Mini Walkie Pallet Jack

The A Series Electric Lithium-ion Mini Walkie Pallet Jack with a 3,000lb load capacity is a part of the new generation of Lithium Iron Phosphate powered equipment recently developed by Hangcha Group. This technology allows for the pallet jack to rapid/opportunity charge meaning that it will run longer than a comparable lead-acid powered pallet jack. By combining lithium-ion technology and permanent magnet drive technology, the truck is now more reliable, safer, and has a lower total cost of ownership. Its advanced performance is perfect for loading, unloading and handling palletized goods in warehouses, supermarkets, and workshops.

Easy Efficient Economical

Appearance

- / The A Series Electric Lithium-ion Mini Walkie Pallet Jack has a smooth vivid profile and was designed to be ergonomic. The exterior of this forklift is powder coated in a durable, easy to see, green finish to show that it is lithium-ion powered.
- / This pallet truck uses stamped steel plates and injection molded parts. This creates a robust and durable product that is able to successfully take on the wear and tear of a warehouse environment.



High Performance

- / With a 6 hour battery life, the pallet jack can satisfy the material handling demands of most customers.
- / The permanent magnet travel motor features excellent performance and low heat emission.
- / The latest CURTIS permanent magnet control system allows the truck to run efficiently and provides stable control performance.
- / The regenerative braking system prevents the pallet truck from sliding on a slope.
- / The controllers, hydraulic power packs, switches, plug connectors, and other components are all from industry known suppliers to ensure reliability, performance, and ease of service.
- / The battery can be fully charged in 2 hours thanks to rapid charging technology.
- / High-quality and high rate battery cells, with lattice tandem & parallel combination technology, offer excellent performance and up to 1,200 charge cycles during the battery's life span.

Comfort

- / Thanks to the compact, lightweight, and flexible design, the pallet jack is easy to operate. The pallet jack is also designed to operate efficiently in narrow aisles environments like a container thanks to its upright walking function.
- / The pallet truck is also designed to offer terrific operating visibility. The standard height of the fork is 3.15"
- / The guiding tips on the ends of the forks make loading and unloading pallets, including closed-deck pallets, easier.
- / The battery can be removed from the side of the pallet jack. The small and lightweight battery pack can be replaced quickly and easy.
- / Charging can be completed without removing the battery from the pallet jack thanks to the internal charging system.

Reliability

- / The three-point support design and side support system provide increased safety and stability to the pallet jack.
- / The lifting rod is designed to be both steady and reliable.
- / The electrical system uses waterproof connectors and protection on the wires and cables to improve the electronic's reliability.
- / The low noise and vibration hydraulic power unit enables stable and reliable lifting and lowering.
- / The punched formed forks provide higher strength and are impact resistant.
- / The non-contact proximity interlock switch is extremely reliable.
- / The one-piece iron wheel hood offers great protection to the pallet jack's body against external impacts.
- / The built-in battery protection system monitors voltage, temperature, and current of the battery in real time to guarantee that it works safely and reliably.
- / The battery is placed inside the chassis to prevent the battery from being damaged while operating the pallet jack.



Easy to Remove Battery



The built-in charger provides a convenient solution when charging the pallet jack.



The upright-tiller running function allows it to work within confined space, such as container.



The newly-developed control head is reliable, stylish, and compact. All of the operational inputs can be completed with one hand.



The key switch, emergency cut off switch, and battery meter are all easily accessible by the operator.



100%
2 Hours to Fully Charge



6 Hours of Running Time

Safety

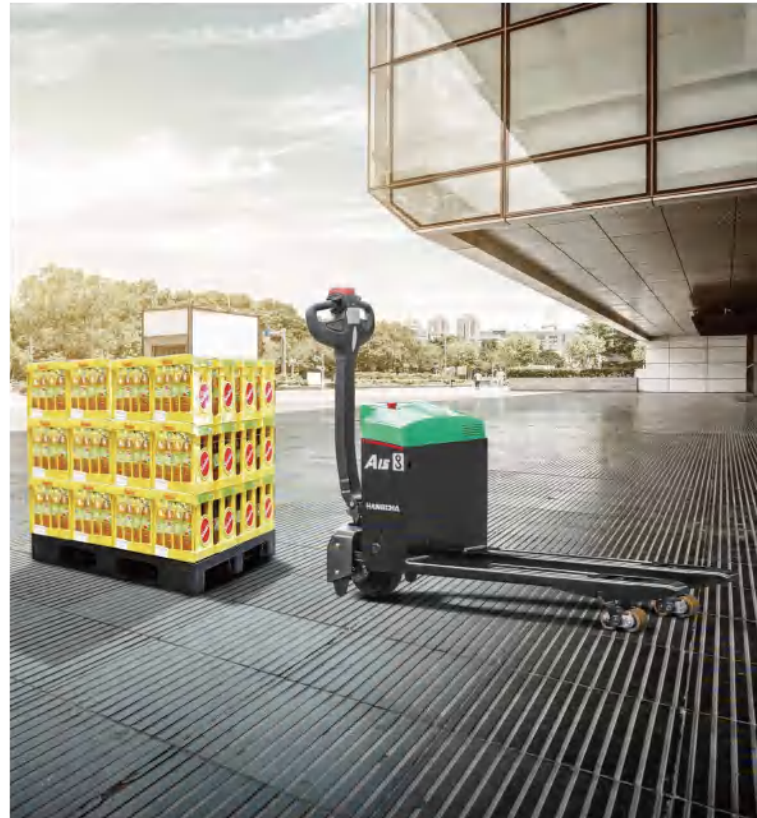
- / The pallet jack includes release braking, reverse braking, and emergency braking to ensure safe driving.
- / The pallet jack also features an anti-rollback function to ensure safe operation.
- / The emergency reverse button on the handle can effectively prevent the driver from being injured if the pallet jack moves forward in an emergency situation.
- / The electronic lifting limit and mechanical limit switches prevent an impact caused by lifting goods to the top of the lifting range. This protects both the motor and the goods from being damaged.
- / The pallet jack automatically goes into sleep mode after 30 minutes on standby to increase energy efficiency and safety.

Maintenance

- / The battery meter display allows users to see when the battery needs to be charged.
- / The maintenance hatch hood opens very easily to expose all components and facilitate easy maintenance of the pallet jack.
- / All rotating shafts are equipped with self-lubricated sleeves and oil cups to promote a long service life.

Standard Specification

- / Permanent Magnet Drive Motor
- / Emergency Cut Off Switch
- / Battery Meter
- / PU Wheels
- / 48" Fork Length
- / 27" Fork Width
- / Electronic Lifting Limit
- / Non-Contact Interlock Switch
- / Modular Tiller
- / Electric Horn
- / High-Performance Lithium-ion Battery
- / Upright Tiller Creep Speed Running
- / Guide Fork for Closed-Deck Pallets
- / Single Load Wheel
- / Fast Charging
- / Automatic Sleep Function



Options

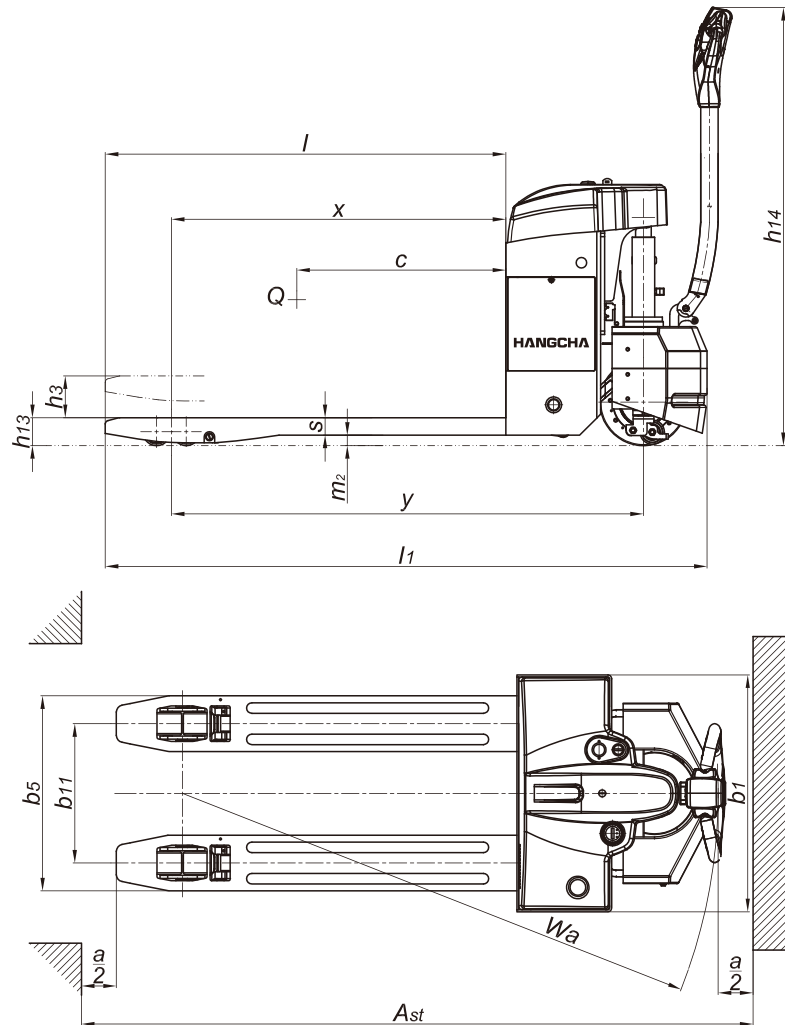
- / Alternate Fork Dimensions
- / Tandem Load Wheel
- / PIN Lock
- / 22" Fork Width (distance from fork surface to ground)



A Series Electric Lithium-ion Mini Walkie Pallet Jack Specification

Distinguishing Marks	1.1	Manufacturer		HANGCHA GROUP CO.,LTD.
		HCF A Model		WP15Li
	1.2	Manufacturer's Type Designation		CB015-AMC1-I
	1.4	Operator Type: hand, pedestrian, standing, seated, order-picker		Walkie
	1.5	Rated Capacity/Rated Load	Q (lbs)	3000
	1.6	Load Centre Distance	c (in)	24
	1.8	Load Distance, centre of drive axle to fork	x (in)	37.4
Weight	1.9	Wheelbase	y (in)	48
	2.1	Service Weight (Including battery)	lbs	419
Tires & Chassis		Battery Weight	lbs	21
	3.1	Tires: solid rubber, superelastic, pneumatic, polyurethane		PU
	3.2	Tire Size, front		Φ8.3x2.8
	3.3	Tire Size, rear		2×Φ3x2.5
	3.4	Additional Wheel [dimensions]		/
	3.5	Wheels, number front / rear (x = driven wheels)		1x/2
	3.6	Tread, front	b ₁₀ (in)	/
Dimensions	3.7	Tread, rear	b ₁₁ (in)	15.7
	4.4	Lift	h ₃ (in)	4.7
	4.15	Fork Height, lowered	h ₁₃ (in)	3
	4.19	Overall Length	l (in)	65.7
	4.21	Overall Width	b ₁ (in)	22.4
	4.22	Fork Dimensions	s/e/l (in)	2/6.3/45.3
	4.25	Distance between Fork-Arms	b ₅ (in)	22.4/26.8
Performance Data	4.32	Ground Clearance, centre of wheelbase	m ₂ (in)	1.2
	4.35	Turning Radius	Wa (in)	55.1 ¹⁾
	5.1	Travel Speed, laden/unladen	mph	2.8/3.0
	5.2	Lift Speed, laden/unladen	in/s	19.7/23.7
Electric Motor	5.3	Lowering Speed, laden/unladen	in/s	15.7/17.7
	5.8	Max Gradeability, laden/unladen	%	6/15
	6.1	Drive Motor Rating at S2 60 min	hp	0.87
	6.2	Lift Motor Rating at S3 15%	hp	1.0
	6.4	Battery Voltage, rated capacity	V/Ah	24/20
	8.1	Type of Drive Control		DC
	9.1	Controller Manufacturer		Curtis

Note: 1). When fork lowered,+2.4"





A15 8

HANGCHA



HANGCHA FORKLIFT CANADA INC.

Company address:

6-980 Rue Valois, Vaudreuil-Dorion,
QC, J7V 8P2, Canada

Toll Free: 877-319-HCFC (4232)

Landline: 450-319-HCFC

info@hcforkliftcanada.com
www.hcforkliftcanada.com



Follow us on
Facebook



Follow us on
YouTube



Follow us on
WeChat



Download "Hangcha
Forklift" App

HANGCHA GROUP CO., LTD. reserves the right to make any changes without notice concerning colors, equipment, or specifications detailed in this brochure, or to discontinue individual models. The colors of trucks, delivered may differ slightly from those in brochures.